


Bill of materials (BOM)

 <b style="font-size: 24px; margin-left: 10px;">HENDI <small style="color: green; margin-left: 10px;">Tools for Chefs</small> Hendi B.V. Steenoven 21 3911 TX Rhenen The Netherlands	Batch #	Appliance part#
	000000 and up	205839
	Description	
	Deepfryer Kitchenline 2X8L	


Date	16-02-2026	Revision #	V.01
Revision	First Bill of Materials (BOM)		

Item	Description	Part#	Quantity	Remark	Picture
1	Lid (incl. knob)	n/a	2		
2	Knob lid	nss	2		
3	Terminal	n/a	2		
4	Microswitch	972762	2		
5	Thermostat knob	934852	2		
6	Indicator light (orange)	912003	2		
7	Thermostat	972779	2		
8	Hi-limiter	972786	2		
9	Logo badge "Hendi"	955963	2		
10	Bracket	n/a	2		
11	Heating element cover	n/a	2		
12	Heating element (3500W)	972847	2		
13	Fryer head housing	n/a	2		
14	Fryer head cover	n/a	2		
15	Pull relief	912201	2		
16	Housing frame	n/a	1		
17	Feet	972793	4	Set of 4pcs	
18	Oil tank	n/a	2		
19	Fryer basket	930656	2	Incl. item 20	
20	Fryer basket handle	nss	2		
21	Power cord	912027	2		
22	Heating element bracket	nss	2		
23	Probe holder (thermostat)	nss	2		
24	Probe holder (hi-limiter)	nss	2		
25	Heating element support	nss	2		
*	Bracket set	972830	2	Incl. item 22, 23, 24 and 25	

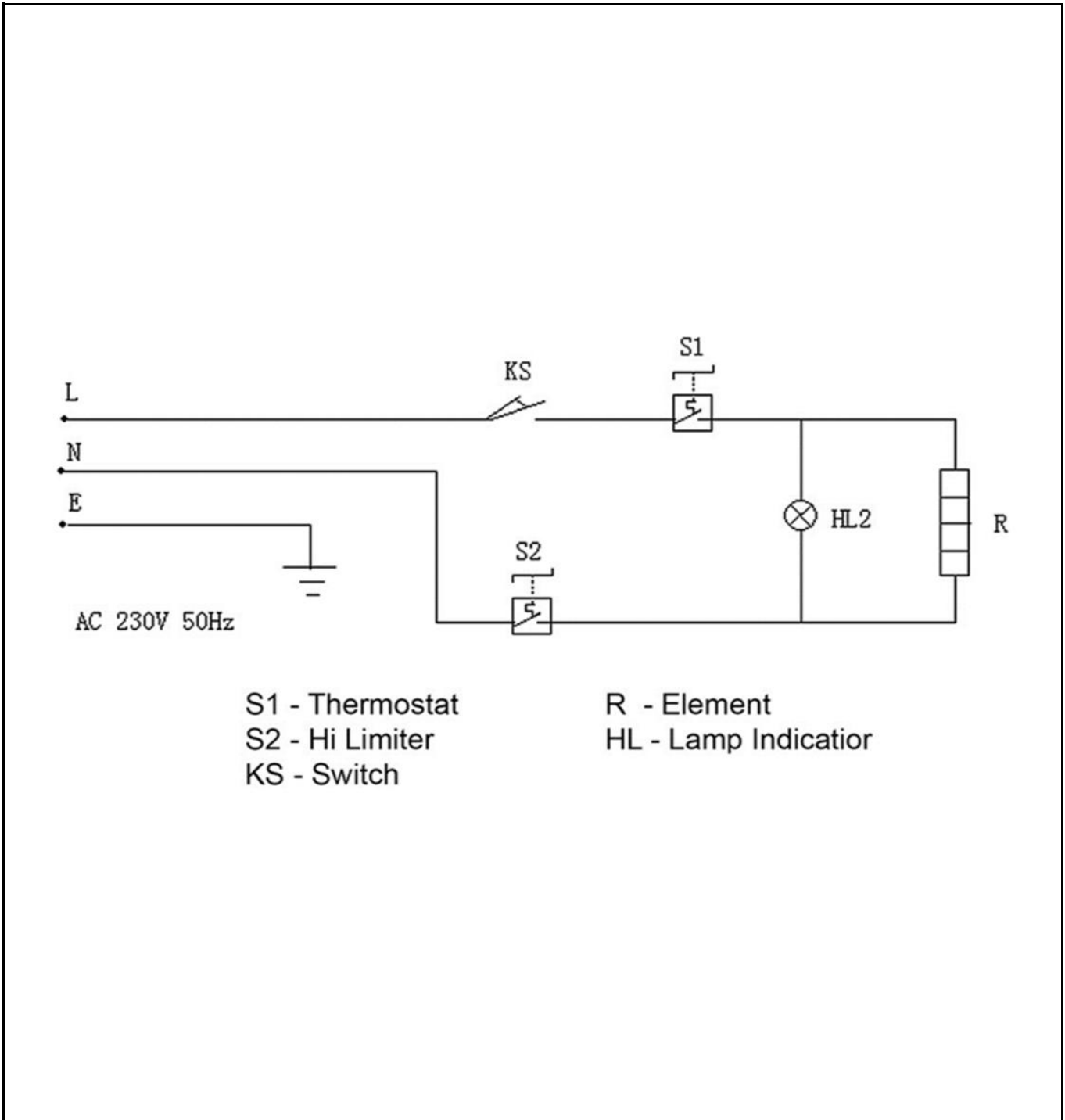
n/a -> not available

nss -> not sold separately


Circuit diagram

 <b style="font-size: 2em; margin-left: 10px;">HENDI Tools for Chefs Hendi B.V. Steenoven 21 3911 TX Rhenen The Netherlands	Batch #	Appliance part#
	000000 and up	205839
	Description	
	Deepfryer Kitchenline 2X8L	

Date	16-02-2026	Revision #	V.01
Revision	First Bill of Materials (BOM)		



Dimentional drawing

 HENDI Tools for Chefs Hendi B.V. Steenoven 21 3911 TX Rhenen The Netherlands	Batch #	Appliance part#
	000000 and up	205839
	Description	
	Deepfryer Kitchenline 2X8L	

Date	16-02-2026	Revision #	V.01
Revision	First Bill of Materials (BOM)		

