

Drawing



**HENDI**

Tools for Chefs

Hendi B.V.

Steenoven 21  
3911 TX Rhenen  
The Netherlands

Batch #

181797 and up

Appliance part#

230299

Description

Glass dishwasher K40

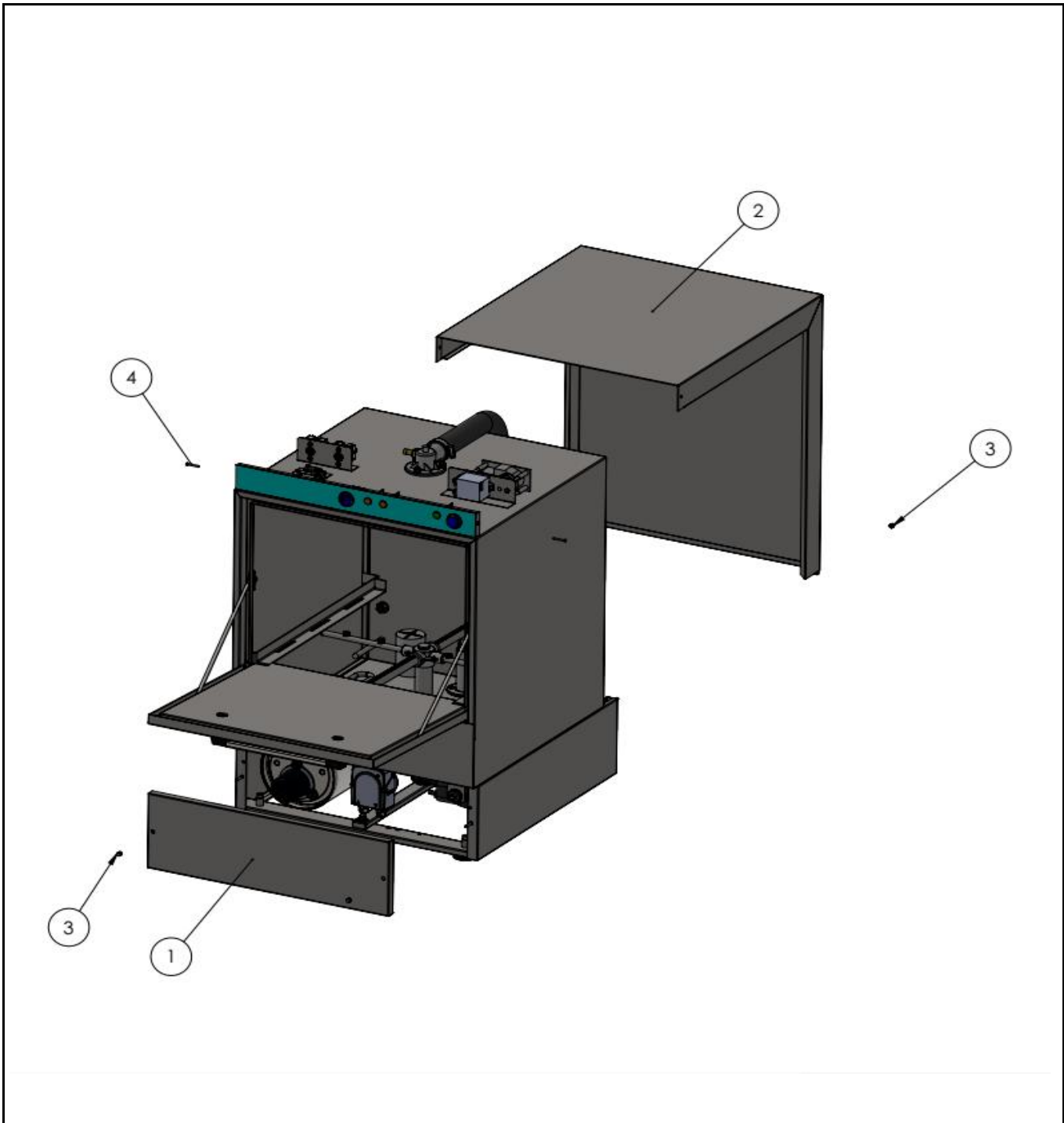
Date 04-09-2025

Revision #


1.0

Revision

First bill of materials (BOM)



**Bill of materials (BOM)**

 <b>HENDI</b> <small>Tools for Chefs</small> <b>Hendi B.V.</b> Steenoven 21 3911 TX Rhenen The Netherlands	<b>Batch #</b>	<b>Appliance part#</b>
	181797 and up	<b>230299</b>
	<b>Description</b>	
		Glass dishwasher K40

<b>Date</b>	04-09-2025	<b>Revision #</b>	1.0
<b>Revision</b>	First bill of materials (BOM)		

Item	Description	Part#	Quantity	Remark	Picture
1	Front cover	n/a	1		
2	Upper cover	n/a	1		
3	Dome nut M4	n/a	4		
4	Screw M4x15	n/a	2		

n/a -> not available

nss -> not sold separately

Drawing



Tools for Chefs

Hendi B.V.

Steenoven 21  
3911 TX Rhenen  
The Netherlands

Batch #

181797 and up

Appliance part#

230299

Description

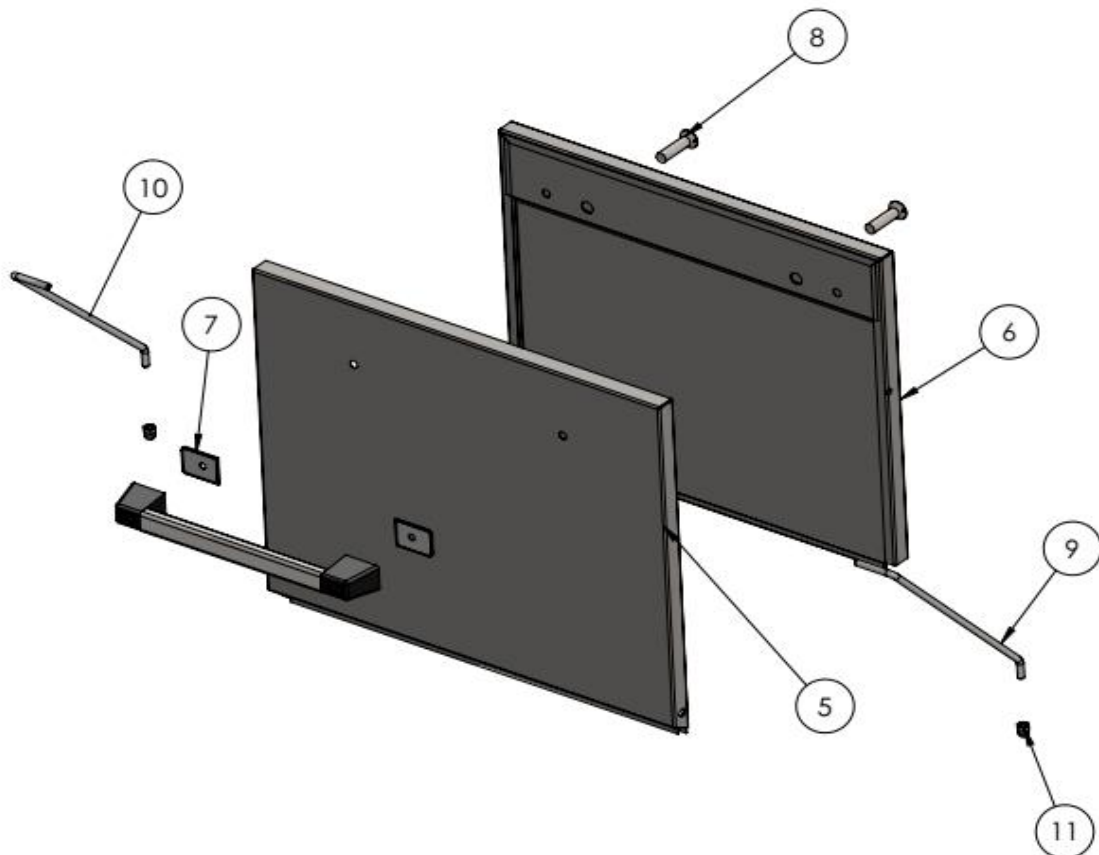
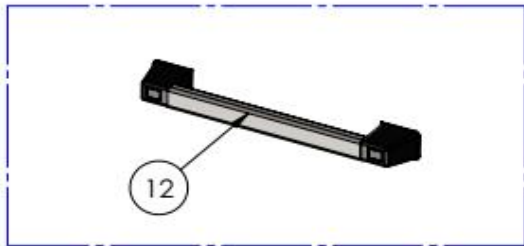
Glass dishwasher K40

Date 04-09-2025


Revision #

1.0

Revision First bill of materials (BOM)



**Bill of materials (BOM)**

 <b>HENDI</b> <small>Tools for Chefs</small> <b>Hendi B.V.</b> Steenoven 21 3911 TX Rhenen The Netherlands	<b>Batch #</b>	<b>Appliance part#</b>
	181797 and up	<b>230299</b>
	<b>Description</b>	
	Glass dishwasher K40	

<b>Date</b>	04-09-2025	<b>Revision #</b>	1.0
<b>Revision</b>	First bill of materials (BOM)		

Item	Description	Part#	Quantity	Remark	Picture
5	Front cover door	n/a	1		
6	Back cover door	n/a	1		
7	Plastic flange	nss	2	Available as 949948	
8	Countersunk bolt M8x30	nss	2	Available as 949948	
9	Door support axle (right)	n/a	1		
10	Door support axle (left)	n/a	1		
11	Domed cap nut M6	n/a	1		
12	Door handle (complete assembly)	949948	1		

n/a -> not available

nss -> not sold separately

Drawing



Tools for Chefs

Hendi B.V.  
Steenoven 21  
3911 TX Rhenen  
The Netherlands

Batch #

181797 and up

Appliance part#

230299

Description

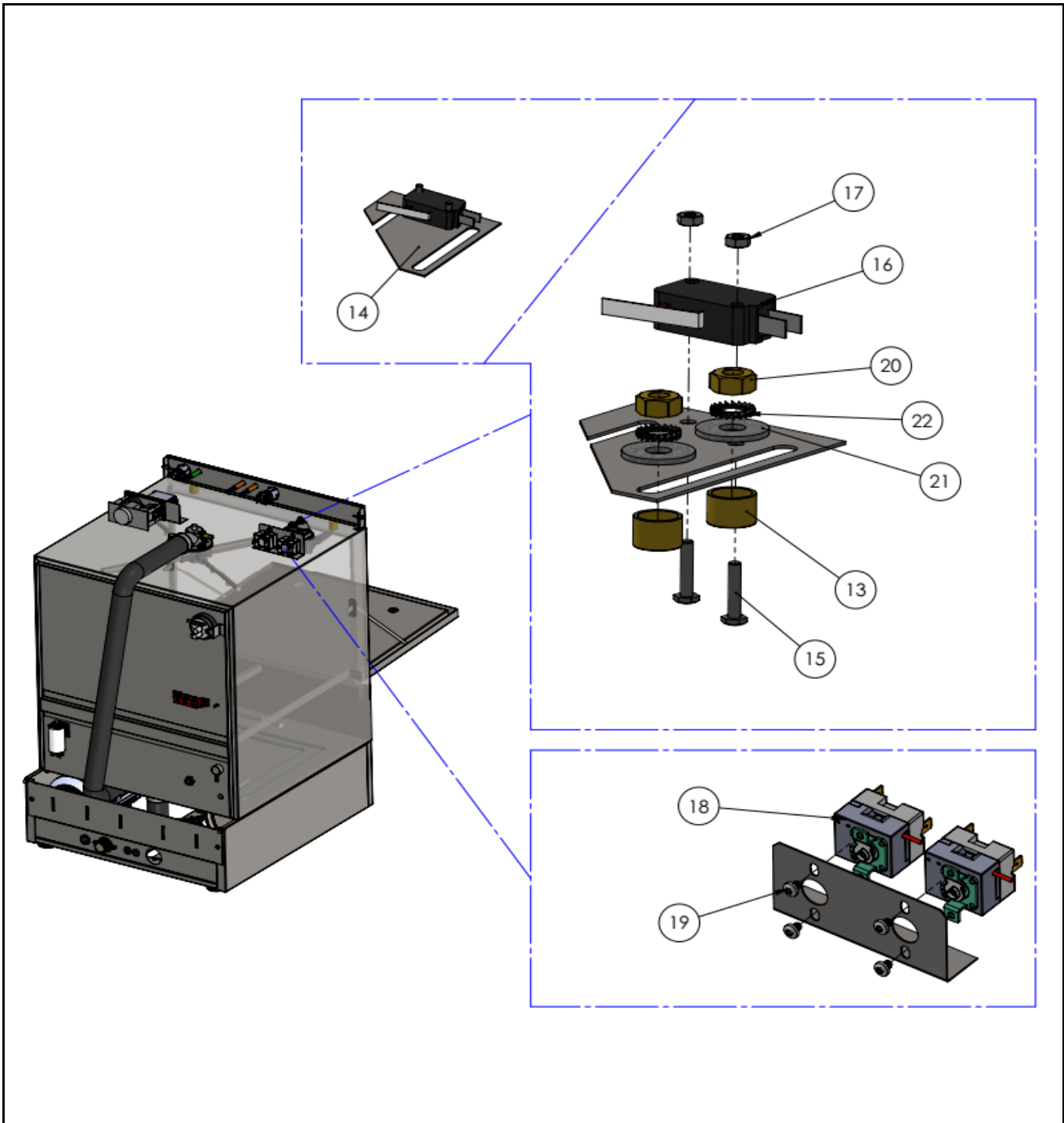
Glass dishwasher K40

Date 04-09-2025


Revision #

1.0

Revision First bill of materials (BOM)



### Bill of materials (BOM)

 <b style="font-size: 24px; margin-left: 10px;">HENDI</b> <small style="color: green; margin-left: 10px;">Tools for Chefs</small> <b>Hendi B.V.</b> Steenoven 21 3911 TX Rhenen The Netherlands	<b>Batch #</b>	<b>Appliance part#</b>
	181797 and up	<b>230299</b>
	<b>Description</b>	
Glass dishwasher K40		

<b>Date</b>	04-09-2025	<b>Revision #</b>	1.0
<b>Revision</b>	First bill of materials (BOM)		

Item	Description	Part#	Quantity	Remark	Picture
13	Spacer	nss	2	Available as 949955	
14	Doorswitch set complete	949955	1	Incl item 13, 15, 17, 19, 20, 21 and 22	
15	Hex bolt M3x16	nss	2	Available as 949955	
16	Door switch	949962	1		
17	Nut M3	nss	2	Available as 949955	
18	Thermostat 90°C	949979	1		
19	Machine screw M4x5	n/a	2	Available as 949955	
20	Nut M6	nss	2	Available as 949955	
21	Washer	nss	2	Available as 949955	
22	Lock washer	nss	2	Available as 949955	

n/a -> not available

nss -> not sold separately

Drawing



**HENDI**

Tools for Chefs

Hendi B.V.

Steenoven 21  
3911 TX Rhenen  
The Netherlands

Batch #

181797 and up

Appliance part#

230299

Description

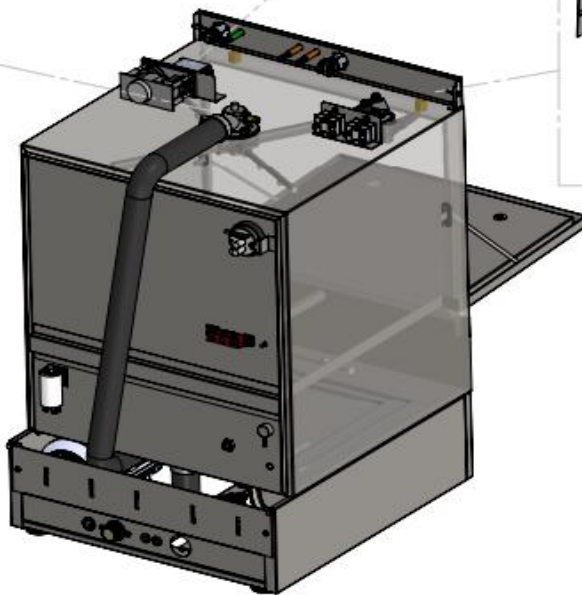
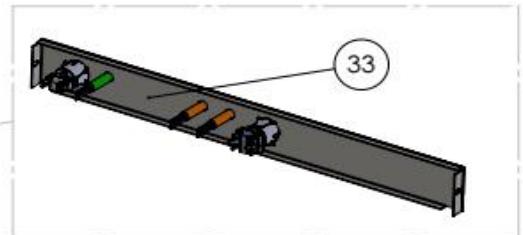
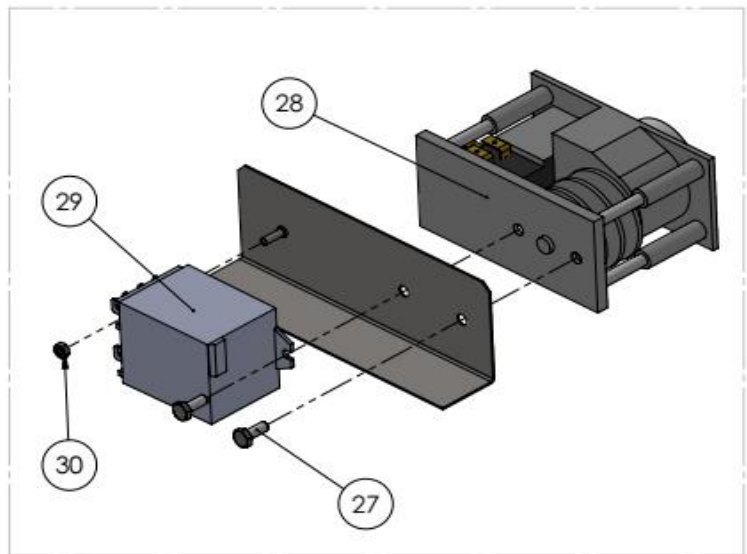
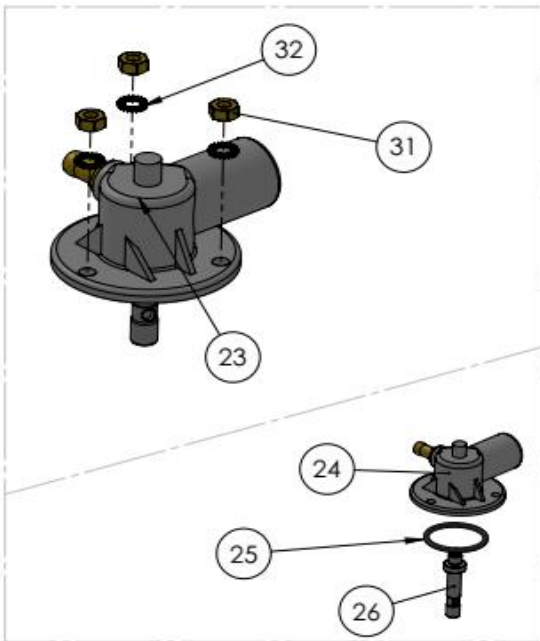
Glass dishwasher K40

Date 04-09-2025


Revision #

1.0

Revision First bill of materials (BOM)



### Bill of materials (BOM)

 <b style="font-size: 24px; margin-left: 10px;">HENDI</b> <small style="color: green; margin-left: 10px;">Tools for Chefs</small> <b>Hendi B.V.</b> Steenoven 21 3911 TX Rhenen The Netherlands	<b>Batch #</b>	<b>Appliance part#</b>
	181797 and up	<b>230299</b>
	<b>Description</b>	
Glass dishwasher K40		

<b>Date</b>	04-09-2025	<b>Revision #</b>	1.0
<b>Revision</b>	First bill of materials (BOM)		

Item	Description	Part#	Quantity	Remark	Picture
23	Wash arm support (upper)	949986	1		
24	Wash hub	nss	1		
25	O-Ring Ø40x3,5mm	949993	1		
26	Rinse Pin	950005	1		
27	Bolt M4x10	n/a	2		
28	Timer 120sec. (Type:7803F1)	950012	1		
29	Relay (Finder 62.82.8.230.0300)	950029	1		
30	Nut M3	n/a	1		
31	Nut M6	n/a	3		
32	Lock washer M6	n/a	3		
33	Display panel	n/a	1		

n/a -> not available

nss -> not sold separately

Drawing



Tools for Chefs

Hendi B.V.  
Steenoven 21  
3911 TX Rhenen  
The Netherlands

Batch #

181797 and up

Appliance part#

230299

Description

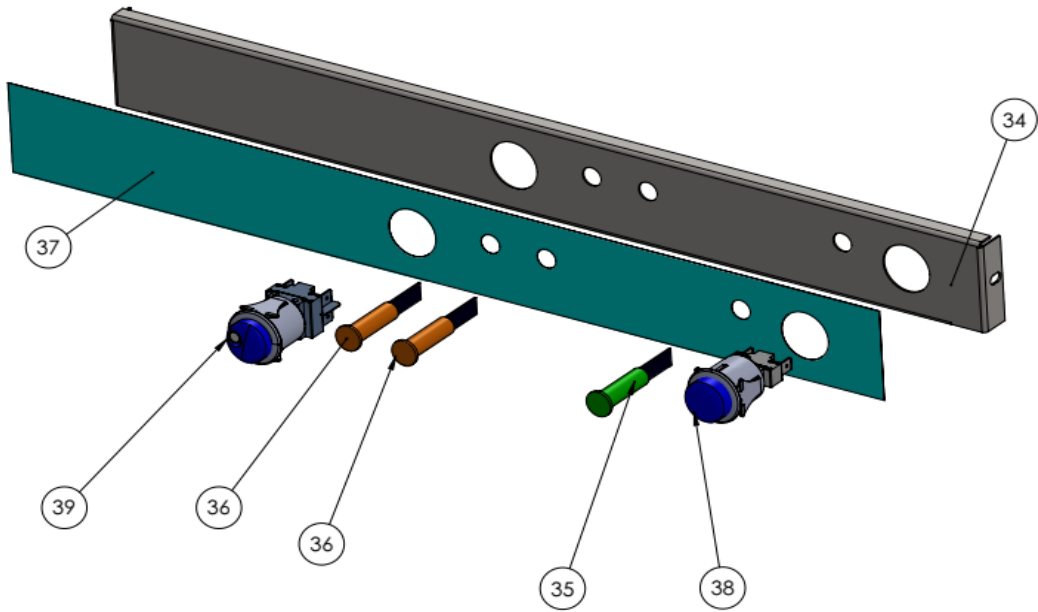
Glass dishwasher K40

Date 04-09-2025


Revision #

1.0

Revision First bill of materials (BOM)



### Bill of materials (BOM)

 <b style="font-size: 24px; margin-left: 10px;">HENDI</b> <span style="font-size: 12px; color: #808000; margin-left: 20px;">Tools for Chefs</span> <b>Hendi B.V.</b> Steenoven 21 3911 TX Rhenen The Netherlands	<b>Batch #</b>	<b>Appliance part#</b>
	181797 and up	<b>230299</b>
	<b>Description</b>	
Glass dishwasher K40		

<b>Date</b>	04-09-2025	<b>Revision #</b>	1.0
<b>Revision</b>	First bill of materials (BOM)		

Item	Description	Part#	Quantity	Remark	Picture
34	Front panel	n/a	1		
35	Indicator light green	950036	2		
36	Indicator light orange	950043	2		
37	Display sticker	n/a	1		
38	Start switch (2P)	950050	1		
39	On/Off switch (oval, 4P)	952269	1		

n/a      -> not available
nss      -> not sold separately

Drawing

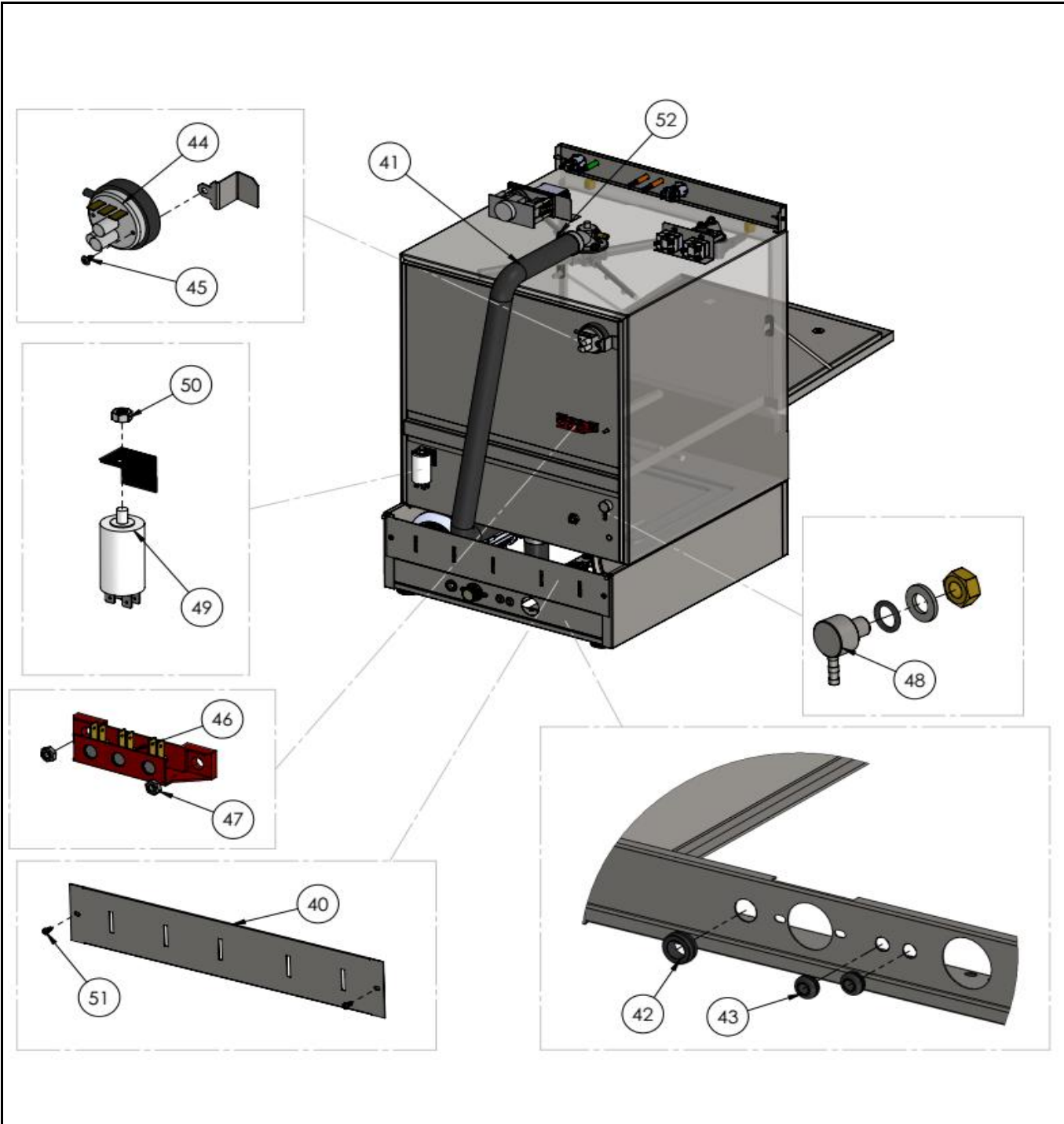


Tools for Chefs


Hendi B.V.  
 Steenoven 21  
 3911 TX Rhenen  
 The Netherlands

Batch #	Appliance part#
181797 and up	230299
Description	
Glass dishwasher K40	

Date	04-09-2025	Revision #	1.0
Revision	First bill of materials (BOM)		



**Bill of materials (BOM)**

 <b>HENDI</b> Tools for Chefs Hendi B.V. Steenoven 21 3911 TX Rhenen The Netherlands	<b>Batch #</b>	<b>Appliance part#</b>
	181797 and up	<b>230299</b>
	<b>Description</b>	
Glass dishwasher K40		

<b>Date</b>	04-09-2025	<b>Revision #</b>	1.0
<b>Revision</b>	First bill of materials (BOM)		

Item	Description	Part#	Quantity	Remark	Picture
40	Back cover	n/a	1		
41	Formed hose (to upper hub)	950081	1		
42	Grommet	n/a	1		
43	Grommet	n/a	2		
44	Pressostat	950098	1		
45	Screw 3,5x9,5	n/a	1		
46	Terminal (3P)	950104	1		
47	Nut M4	n/a	2		
48	Detergent tank injector	n/a	1		
49	Capacitor 6.3µF	950111	1		
50	Screw 4,1x13	n/a	2		
51	Hose clamp S/S 25-40mm	950180	1		

n/a -> not available

nss -> not sold separately

Drawing



Tools for Chefs

Hendi B.V.  
Steenoven 21  
3911 TX Rhenen  
The Netherlands

Batch #

181797 and up

Appliance part#

230299

Description

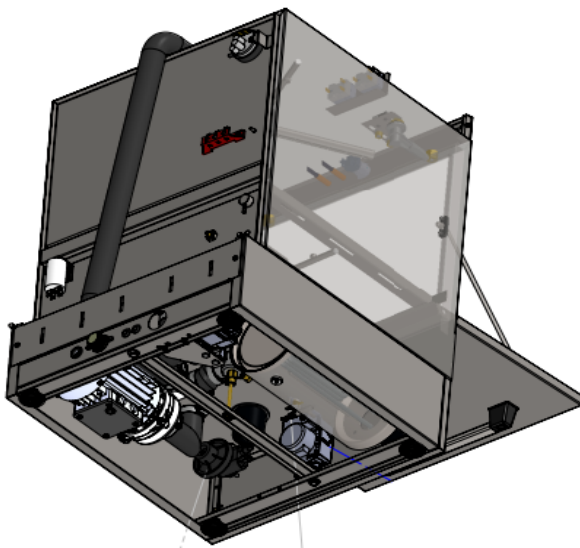
Glass dishwasher K40

Date 04-09-2025

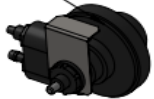
Revision #

1.0

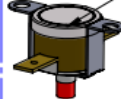
Revision First bill of materials (BOM)



55



53





Drawing



Tools for Chefs

Hendi B.V.  
Steenoven 21  
3911 TX Rhenen  
The Netherlands

Batch #

181797 and up

Appliance part#

230299

Description

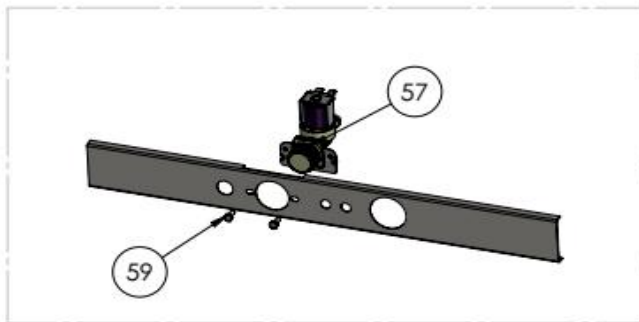
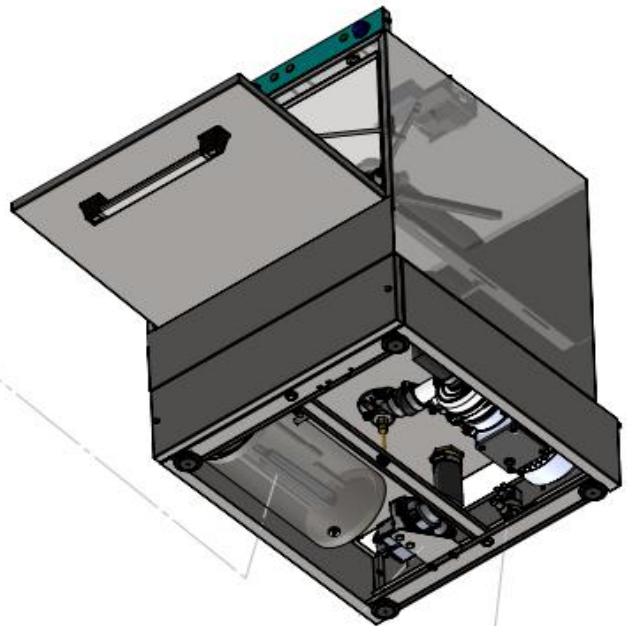
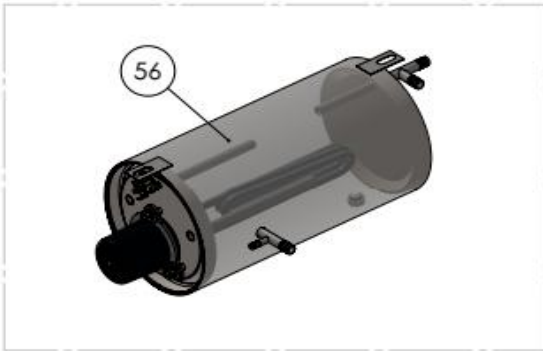
Glass dishwasher K40

Date 04-09-2025


Revision #

1.0

Revision First bill of materials (BOM)



**Bill of materials (BOM)**

 <b>HENDI</b> <small>Tools for Chefs</small> <b>Hendi B.V.</b> Steenoven 21 3911 TX Rhenen The Netherlands	<b>Batch #</b>	<b>Appliance part#</b>
	181797 and up	<b>230299</b>
	<b>Description</b>	
		Glass dishwasher K40

<b>Date</b>	04-09-2025	<b>Revision #</b>	1.0
<b>Revision</b>	First bill of materials (BOM)		

Item	Description	Part#	Quantity	Remark	Picture
56	Boiler complete assembly	n/a	1		
57	Water valve 1-way	950159	1		
59	Bolt M4x10	n/a	2		

n/a -> not available

nss -> not sold separately

Drawing



Tools for Chefs

Hendi B.V.  
Steenoven 21  
3911 TX Rhenen  
The Netherlands

Batch #

181797 and up

Appliance part#

230299

Description

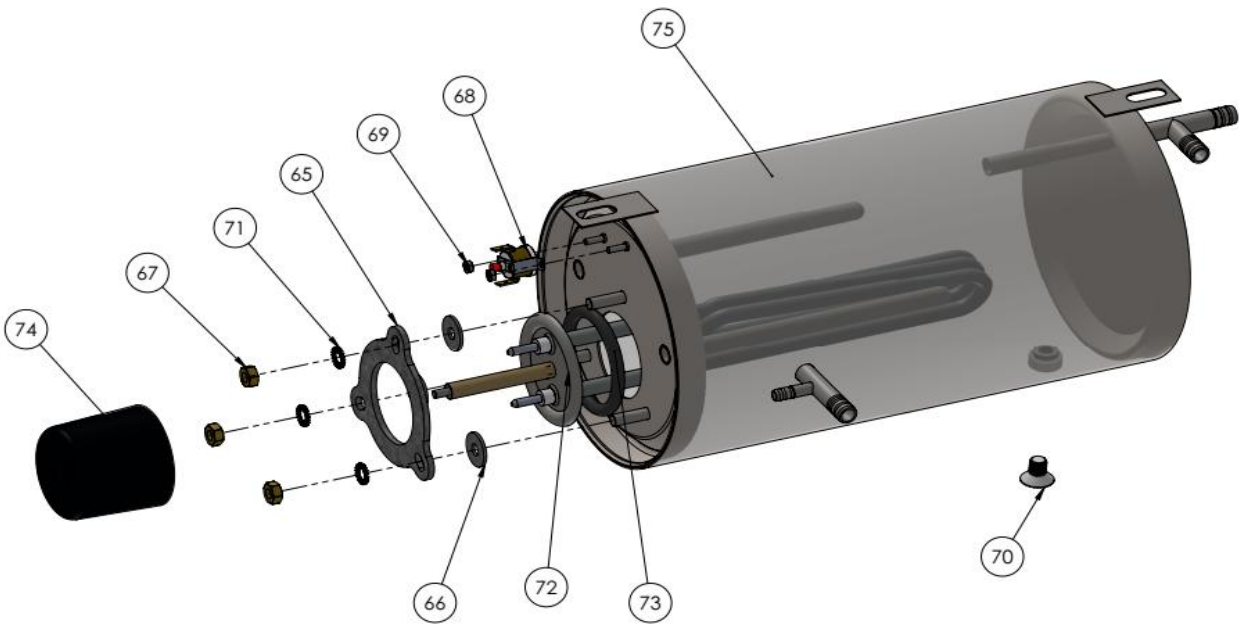
Glass dishwasher K40

Date 04-09-2025


Revision #

1.0

Revision First bill of materials (BOM)



**Bill of materials (BOM)**

 <b>HENDI</b> Tools for Chefs Hendi B.V. Steenoven 21 3911 TX Rhenen The Netherlands	<b>Batch #</b>	<b>Appliance part#</b>
	181797 and up	<b>230299</b>
	<b>Description</b>	
	Glass dishwasher K40	

<b>Date</b>	04-09-2025	<b>Revision #</b>	1.0
<b>Revision</b>	First bill of materials (BOM)		

Item	Description	Part#	Quantity	Remark	Picture
65	Bracket element	n/a	1		
66	Washer M6	n/a	3		
67	Nut M6	n/a	3		
68	Hi-limiter 105°C Boiler (manual reset)	950197	1		
69	Nut M3	n/a	2		
70	Cap screw M8x12	n/a	1		
71	Lock washer M6	n/a	3		
72	Element tank 230V/2500W	950203	1		
73	O-Ring Ø45x6mm	950210	1		
74	Cover	n/a	1		
75	Boiler	n/a	1		

n/a -> not available

nss -> not sold separately

Drawing



Tools for Chefs

Hendi B.V.  
Steenoven 21  
3911 TX Rhenen  
The Netherlands

Batch #

181797 and up

Appliance part#

230299

Description

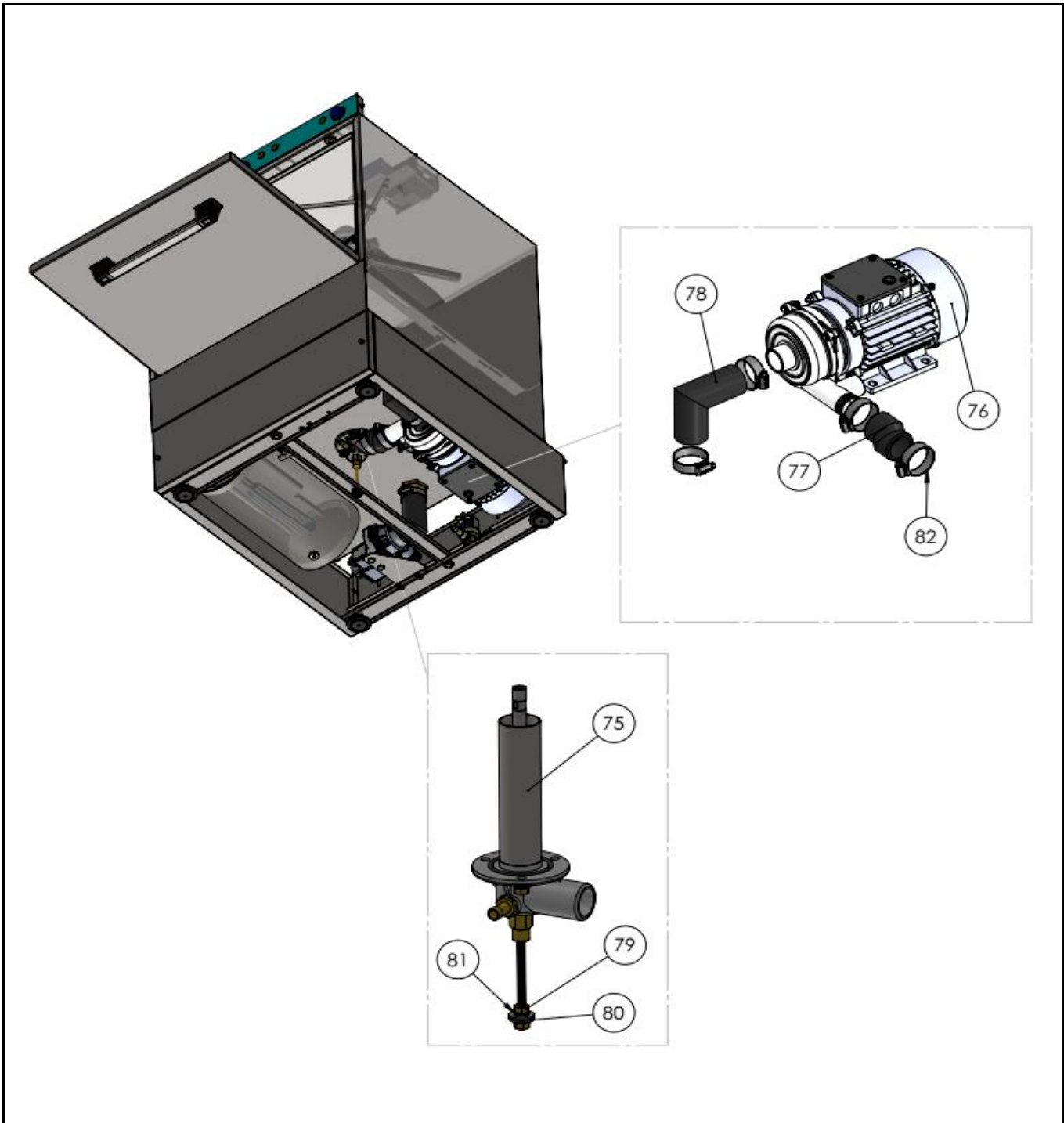
Glass dishwasher K40

Date 04-09-2025


Revision #

1.0

Revision First bill of materials (BOM)



**Bill of materials (BOM)**

 <b>HENDI</b> <small>Tools for Chefs</small> <b>Hendi B.V.</b> Steenoven 21 3911 TX Rhenen The Netherlands	<b>Batch #</b>	<b>Appliance part#</b>
	181797 and up	<b>230299</b>
	<b>Description</b>	
		Glass dishwasher K40

<b>Date</b>	04-09-2025	<b>Revision #</b>	1.0
<b>Revision</b>	First bill of materials (BOM)		

Item	Description	Part#	Quantity	Remark	Picture
75	Wash arm support (lower)	950227	1		
76	Wash pump 230V/0,30HP IP44	950234	1		
77	Formed hose (outlet pump)	950241	1		
78	Formed hose (inlet pump)	950258	1		
79	Nut M6	n/a	2		
80	Washer M6	n/a	2		
81	Lock washer M6	n/a	2		
82	Hose clamp S/S 25-40mm	950180	4		

n/a -> not available

nss -> not sold separately

Drawing



Tools for Chefs

Hendi B.V.  
Steenoven 21  
3911 TX Rhenen  
The Netherlands

Batch #

181797 and up

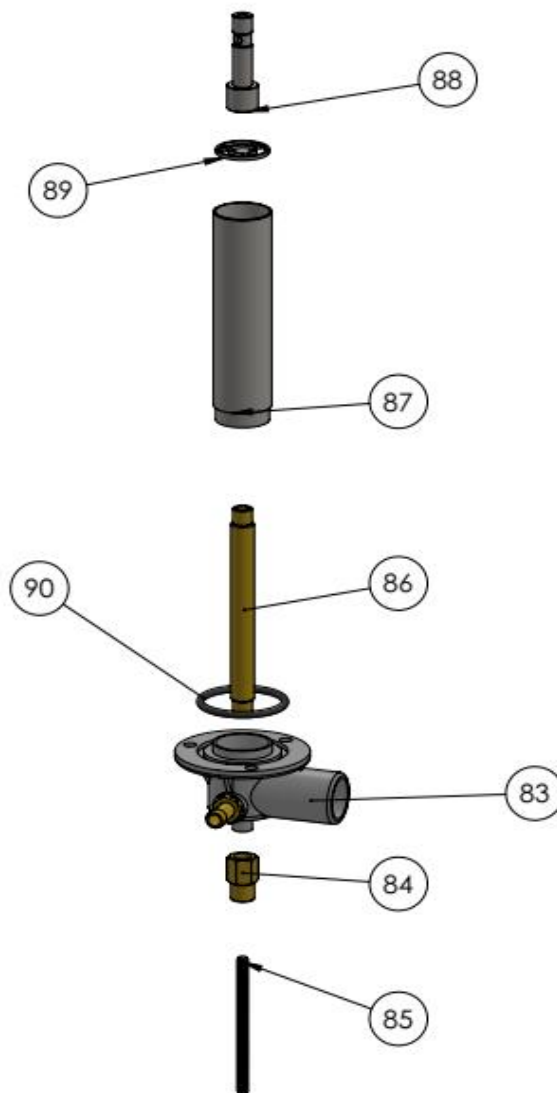
Appliance part#

230299

Description

Glass dishwasher K40

Date	04-09-2025	Revision #	Revision version
Revision	First bill of materials (BOM)		





Drawing



Tools for Chefs

Hendi B.V.  
Steenoven 21  
3911 TX Rhenen  
The Netherlands

Batch #

181797 and up

Appliance part#

230299

Description

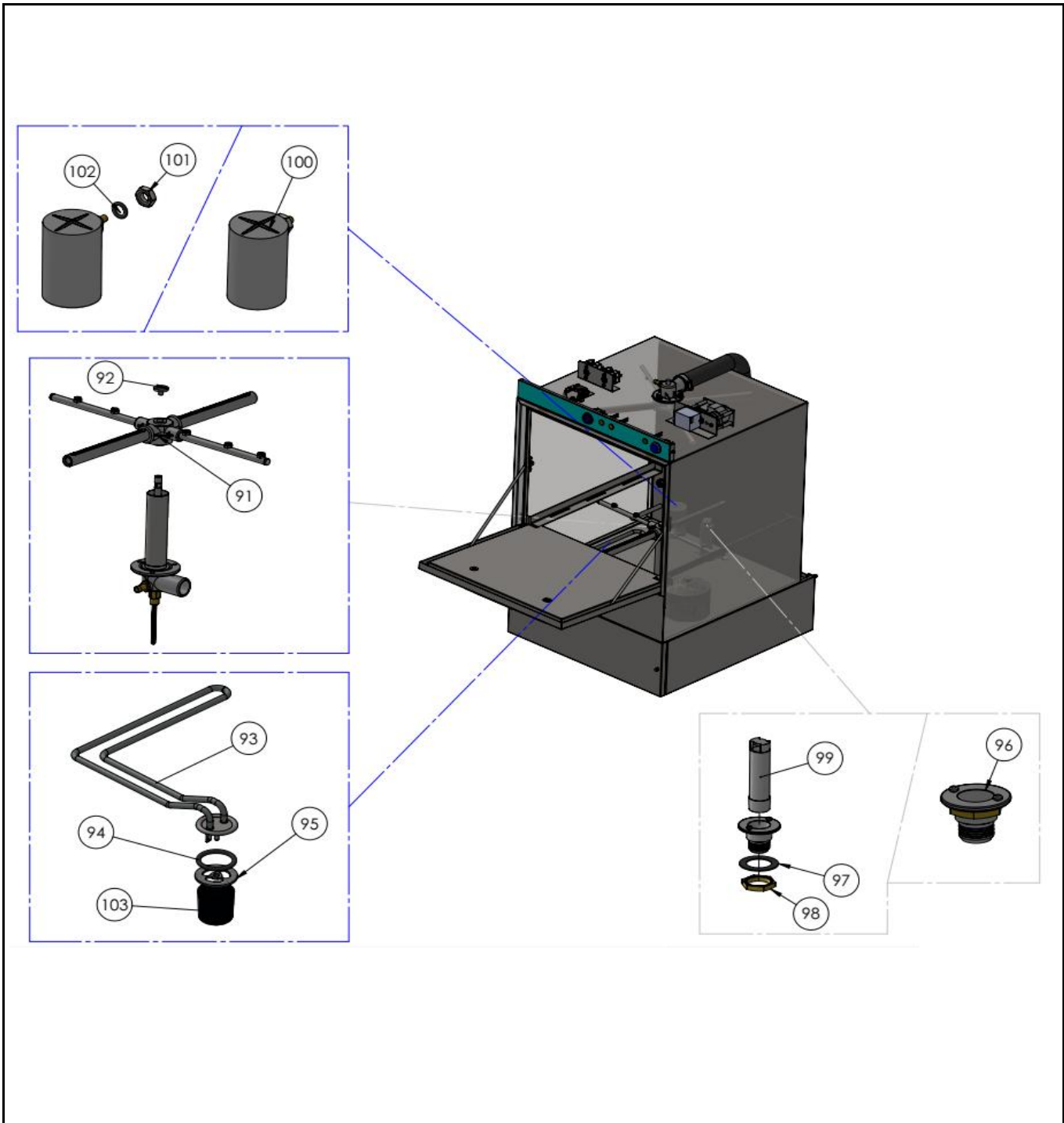
Glass dishwasher K40

Date 04-09-2025


Revision #

Revision version

Revision First bill of materials (BOM)



**Bill of materials (BOM)**

 <b>HENDI</b> Tools for Chefs Hendi B.V. Steenoven 21 3911 TX Rhenen The Netherlands	<b>Batch #</b>	<b>Appliance part#</b>
	181797 and up	<b>230299</b>
	<b>Description</b>	
	Glass dishwasher K40	

<b>Date</b>	04-09-2025	<b>Revision #</b>	1.0
<b>Revision</b>	First bill of materials (BOM)		

Item	Description	Part#	Quantity	Remark	Picture
91	Wash/rinse arm (complete assembly)	950265	1		
92	Thumb screw for wash arm	950272	1		
94	Element tank 230V/2500W	950289	1		
95	Tank element retaining bracket	n/a	1		
96	Drain fitting	961971	1	Incl. item 97 and 98	
97	Gasket 35x55x1	nss	1	Available as 961971	
98	Nut M36	nss	1	Available as 961971	
99	Overflow pipe (K40)	950296	1		
100	Air trap assembly (K40)	950302	1		
101	Nut M10	n/a	1		
102	O-Ring	n/a	1		
103	Cover element	n/a	1		

n/a -> not available

nss -> not sold separately

Drawing



Tools for Chefs

Hendi B.V.  
Steenoven 21  
3911 TX Rhenen  
The Netherlands

Batch #

181797 and up

Appliance part#

230299

Description

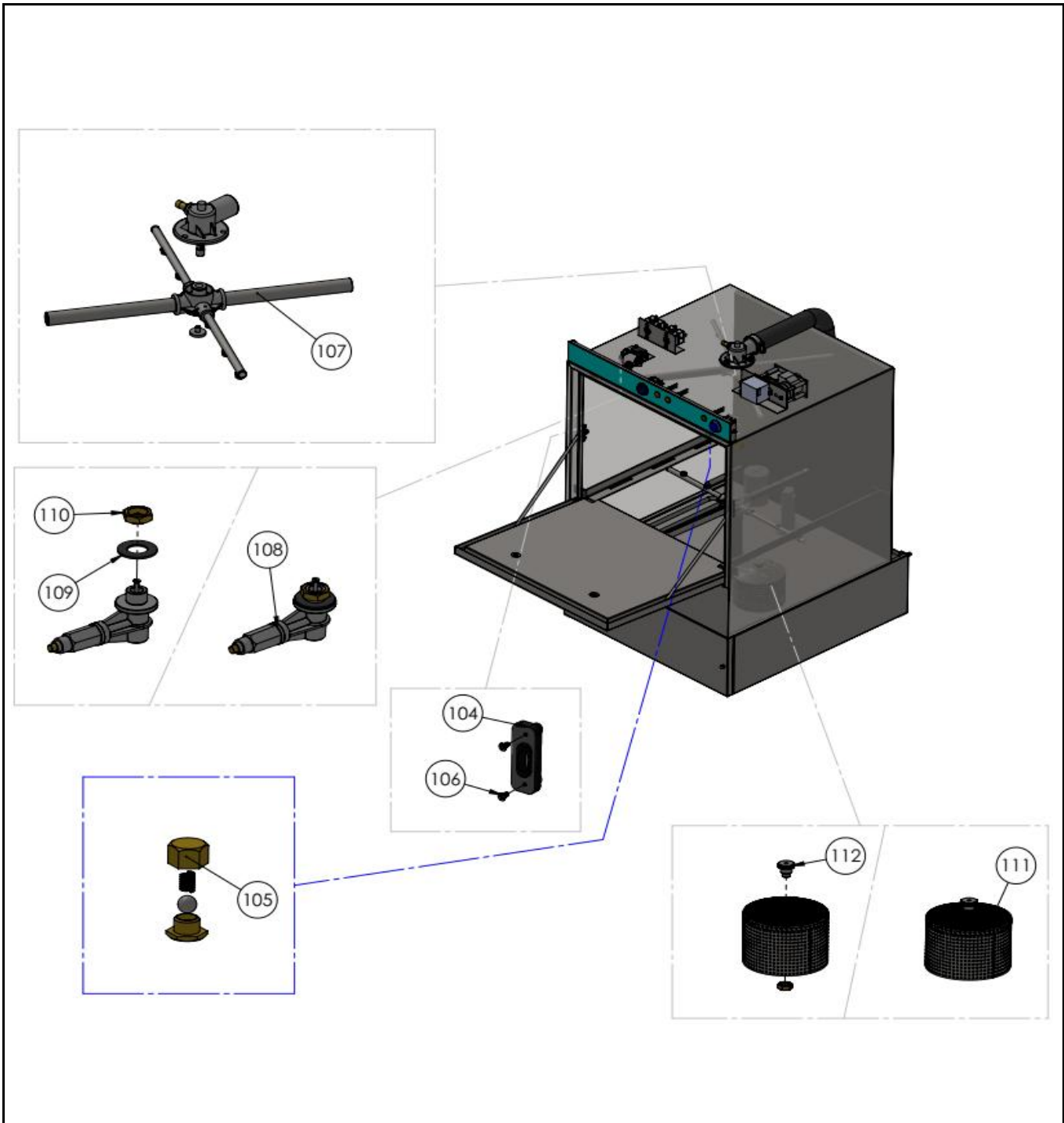
Glass dishwasher K40

Date 04-09-2025


Revision #

Revision version

Revision First bill of materials (BOM)



### Bill of materials (BOM)

 <b style="font-size: 24px; margin-left: 10px;">HENDI</b> <small style="color: green; margin-left: 10px;">Tools for Chefs</small> <b>Hendi B.V.</b> Steenoven 21 3911 TX Rhenen The Netherlands	<b>Batch #</b>	<b>Appliance part#</b>
	181797 and up	<b>230299</b>
	<b>Description</b>	
Glass dishwasher K40		

<b>Date</b>	04-09-2025	<b>Revision #</b>	1.0
<b>Revision</b>	First bill of materials (BOM)		

Item	Description	Part#	Quantity	Remark	Picture
104	Plastic guide	950319	2		
105	Snap lock door	950326	2		
106	Screw 2,9x10	n/a	1		
107	Wash/rinse arm	950265	1		
108	Door switch lever assembly	950333	1	Incl item 109 and 110	
109	Rubber gasket 16x30x3	nss	1		
110	Nut	nss	1		
111	Filter round inlet washpump	950340	1		
112	Filter retaining nut	950357	1		

n/a -> not available

nss -> not sold separately

Drawing



Tools for Chefs

Hendi B.V.  
Steenoven 21  
3911 TX Rhenen  
The Netherlands

Batch #

181797 and up

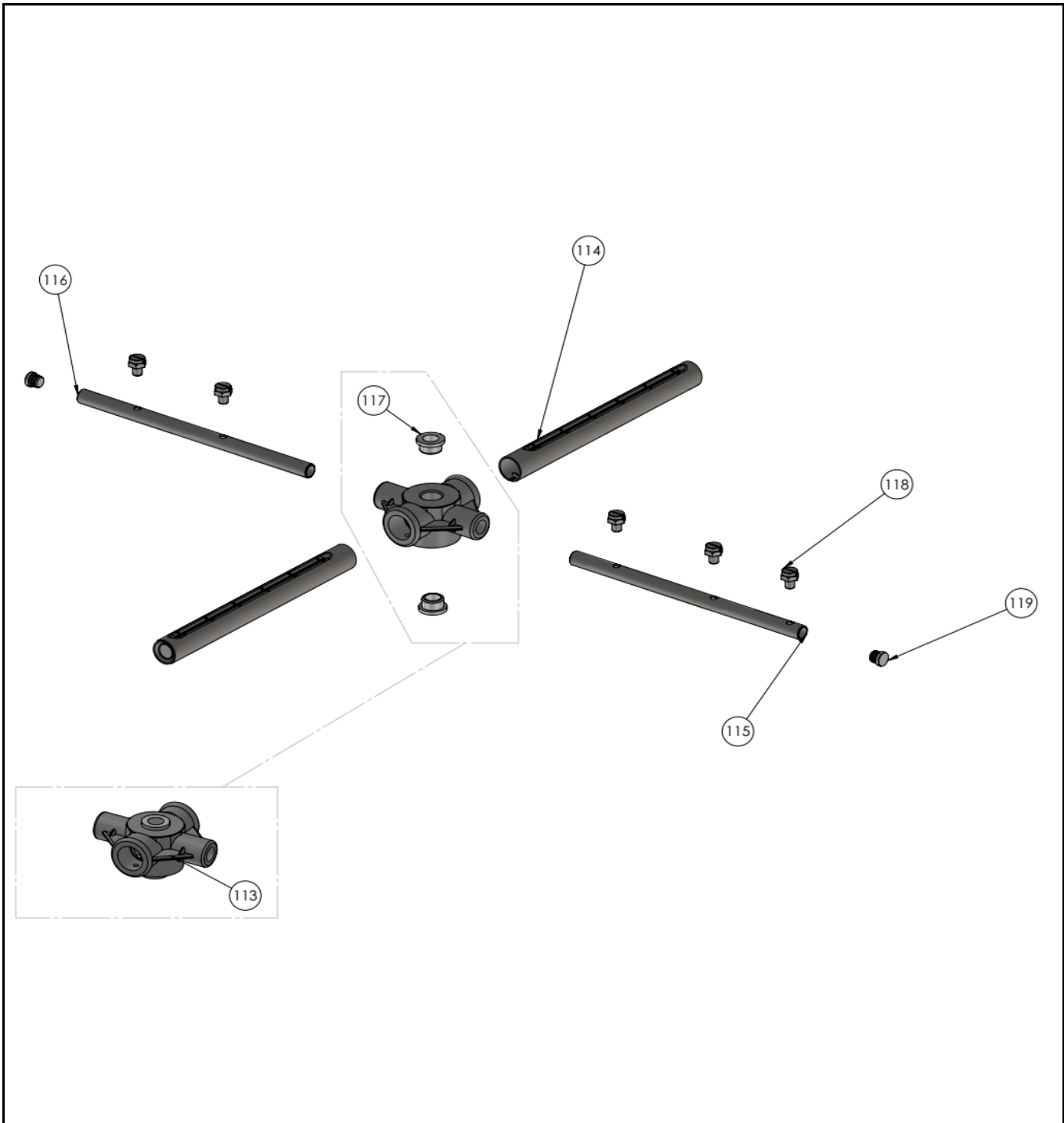
Appliance part#

230299

Description

Glass dishwasher K40

Date	04-09-2025	Revision #	Revision version
Revision	First bill of materials (BOM)		





## Circuit diagram



**Hendi B.V.**  
 Steenoven 21  
 3911 TX Rhenen  
 The Netherlands

Tools for Chefs

**Batch #**  
 181797 and up

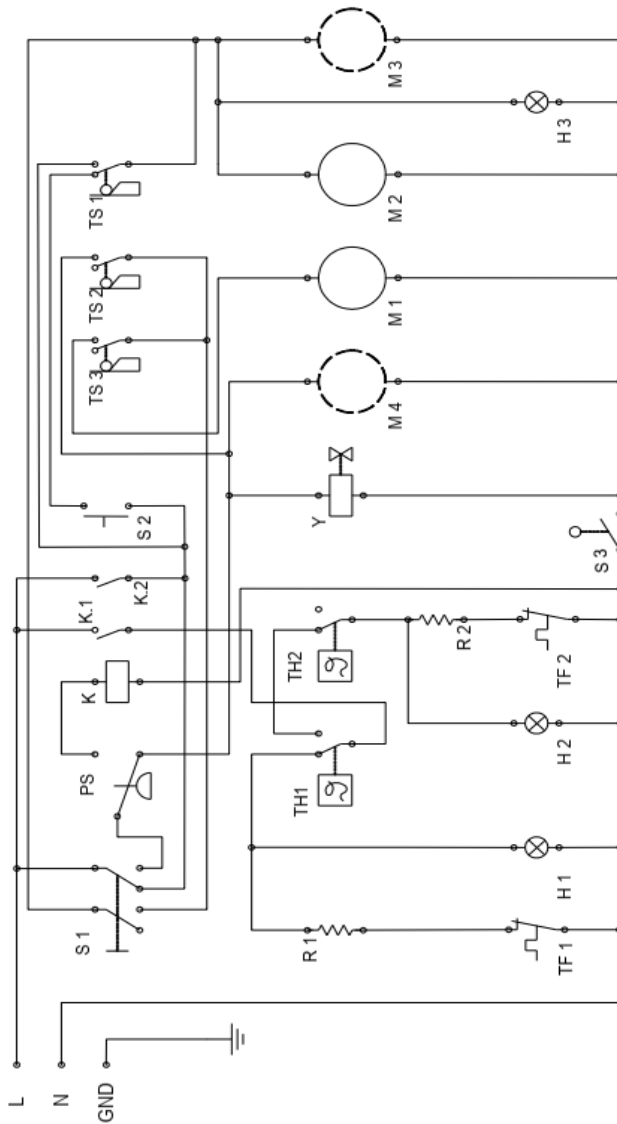
**Appliance part#**  
 230299

**Description**  
 Glass dishwasher K40

**Date** 04-09-2025

**Revision #** 1.0

**Revision** First bill of materials (BOM)



**ELECTRICAL DIAGRAM**

- S 1 : Main switch
- S 2 : Start switch
- S 3 : Door's cut off switch
- PS : Pressure switch
- R 1 : Boiler's/Booster's heating element
- R 2 : Tank's heating element
- H : Indicator lamp
- Y : Water inlet valve
- M 1 : Wash pump motor
- M 2 : Timer's motor
- M 3 : Drainage pump motor \*
- M 4 : Detergent pump motor \*
- TH : Thermostat
- TF : Thermofuse
- TS : Timers microswitch
- K : Relay

220-240 Volt AC 50/60 Hz  
 Max 2880 W 13 A

\* OPTIONAL