

Drawing



**HENDI**

Tools for Chefs

Hendi B.V.

Innovatielaan 6  
6745 XW De Klomp  
The Netherlands

Batch #

000000 and up

Appliance part#

**236666**

Description

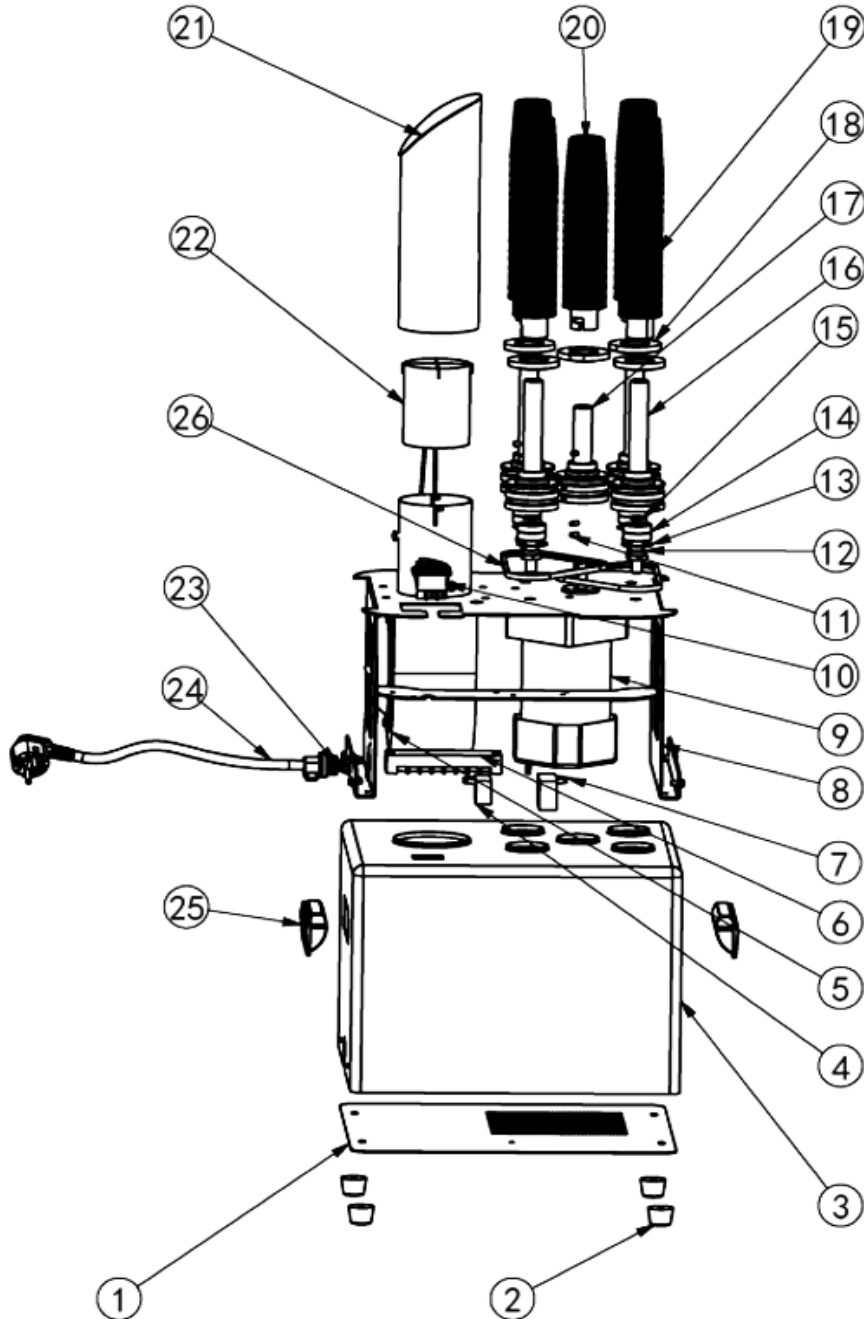
Glass polisher

Date 01-08-2025


Revision #

V.01

Revision First Bill of Materials (BOM)



## Bill of materials (BOM)

 <b style="font-size: 24px; margin-left: 10px;">HENDI</b> <small style="color: green; margin-left: 10px;">Tools for Chefs</small> <b>Hendi B.V.</b> Innovatielaan 6 6745 XW De Klomp The Netherlands	<b>Batch #</b>	<b>Appliance part#</b>
	000000 and up	<b>236666</b>
	<b>Description</b>	
	<b>Glass polisher</b>	


<b>Date</b>	01-08-2025	<b>Revision #</b>	V.01
<b>Revision</b>	First Bill of Materials (BOM)		

Item	Description	Part#	Quantity	Remark	Picture
1	Housing panel (bottom)	n/a	1		
2	Feet	965764	4	Set of 4 pcs	
3	Housing	n/a	1		
4	Capacitor (fan)	965771	1		
5	Centrifugal fan	965788	1		
6	Terminal	965795	1		
7	Capacitor (motor)	965801	1		
8	Motor/fan bracket	n/a	1		
9	Motor	965818	1		
10	Switch	205426	1		
11	Screw	n/a	2		
12	Bearing seath	nss	4	Available as 965849	
13	Retainer ring	nss	4	Available as 965849	
14	Bearing	nss	8	Available as 965849	
15	Seeger ring	nss	4	Available as 965849	
16	Gear driven rod	nss	4	Available as 965849	
17	Direct driven rod	965825	1		
18	Cover	n/a	5		
19	Large brush (220mm)	230145	4	Set of 2 pcs	
20	Medium brush (190mm)	230138	1	Set of 2 pcs	
21	Air outlet cover	n/a	1		
22	Heating element	965832	1		
23	Pull releif	n/a	1		
24	Power cord	n/a	1		
25	Handle	n/a	2		
26	V-belt	969359	1		
A	Gear driven rod (assembly)	965849	4	Sold per piece	

n/a -> not available

nss -> not sold separately

### Circuit diagram

 <b style="font-size: 24px; margin-left: 10px;">HENDI</b> <span style="color: #808000; font-size: 12px; margin-left: 20px;">Tools for Chefs</span> <b>Hendi B.V.</b> Innovatielaan 6 6745 XW De Klomp The Netherlands	<b>Batch #</b>	<b>Appliance part#</b>
	000000 and up	<b>236666</b>
	<b>Description</b>	
	<b>Glass polisher</b>	

<b>Date</b>	01-08-2025	<b>Revision #</b>	V.01
<b>Revision</b>	First Bill of Materials (BOM)		

