
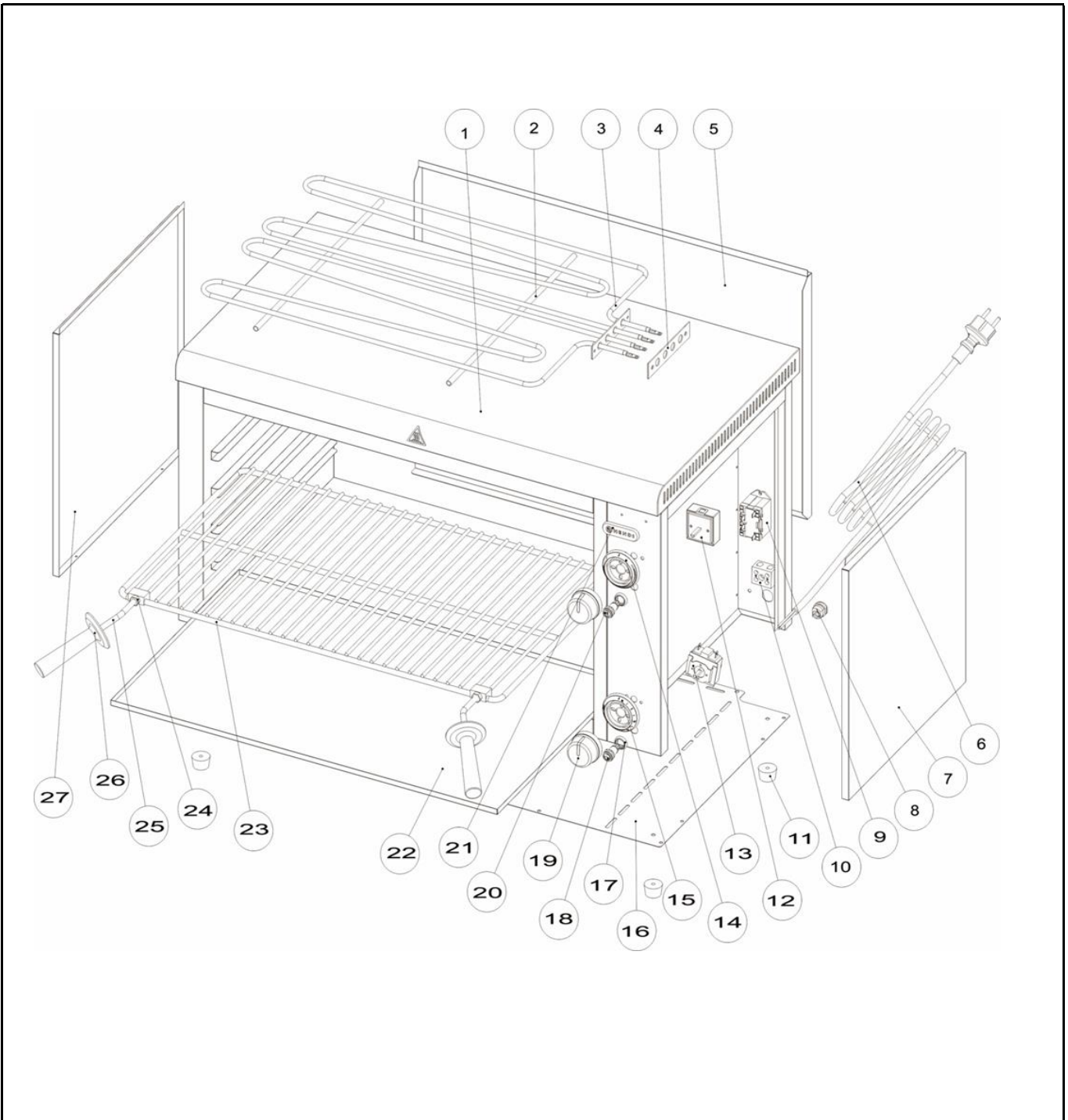



# Drawing

|  |                     |                        |
|--|---------------------|------------------------|
|  <b style="font-size: 2em; margin-left: 10px;">HENDI</b><br><span style="color: #808000; font-size: 0.8em; margin-left: 10px;">Tools for Chefs</span><br><b>Hendi B.V.</b><br>Steenoven 21<br>3911 TX Rhenen<br>The Netherlands | <b>Batch #</b>      | <b>Appliance part#</b> |
|  | HK030320 and up     | <b>264300</b>          |
|  | <b>Description</b>  |                        |
|  | Salamander type 800 |                        |

|                 |  |                   |     |
|-----------------|--|-------------------|-----|
| <b>Date</b>     | 28-05-2025                                 | <b>Revision #</b> | 1,1 |
| <b>Revision</b> | Updated control panel and circuit diagram. |                   |     |



**Bill of materials (BOM)**

|   |                    |                        |
|---|--------------------|------------------------|
|  <b>HENDI</b><br>Tools for Chefs<br><b>Hendi B.V.</b><br>Steenoven 21<br>3911 TX Rhenen<br>The Netherlands | <b>Batch #</b>     | <b>Appliance part#</b> |
|   | HK030320 and up    | <b>264300</b>          |
|   | <b>Description</b> |                        |
| <b>Salamander type 800</b>  |                    |                        |


|                 |  |                   |     |
|-----------------|--|-------------------|-----|
| <b>Date</b>     | 28-05-2025                                 | <b>Revision #</b> | 1,1 |
| <b>Revision</b> | Updated control panel and circuit diagram. |                   |     |

| Item | Description               | Part#  | Quantity | Remark                         | Picture |
|------|---------------------------|--------|----------|--------------------------------|---------|
| 1    | Frame                     | n/a    | 1        |                                |         |
| 2    | Support                   | n/a    | 2        |                                |         |
| 3    | Heating element           | 901748 | 1        |                                |         |
| 4    | Heating element bracket   | n/a    | 1        |                                |         |
| 5    | Back cover                | n/a    | 1        |                                |         |
| 6    | Power cord                | 912027 | 1        |                                |         |
| 7    | Right cover               | n/a    | 1        |                                |         |
| 8    | Cord inlet with retention | 912201 | 1        |                                |         |
| 9    | Relais                    | 904480 | 1        |                                |         |
| 10   | Terminal                  | n/a    | 1        |                                |         |
| 11   | Feet                      | n/a    | 4        |                                |         |
| 12   | Energy regulator          | 943366 | 1        |                                |         |
| 13   | Timer                     | 943359 | 1        |                                |         |
| 14   | Knob regulator            | 943342 | 1        | Incl. item 19                  |         |
| 15   | Knob timer                | 943335 | 1        | Incl. item 19                  |         |
| 16   | Bottom cover              | n/a    | 1        |                                |         |
| 17   | O-ring                    | nss    | 2        |                                |         |
| 18   | Indicator light (green)   | 942925 | 1        | Incl. item 17                  |         |
| 19   | Knob                      | nss    | 2        | Available as 943342 and 943335 |         |
| 20   | Indicator light (orange)  | 930533 | 1        | Incl. item 17                  |         |
| 21   | Logo badge Hendi          | 955963 | 1        |                                |         |
| 22   | Crumb tray                | 904473 | 1        |                                |         |
| 23   | Grid                      | 904497 | 1        |                                |         |
| 24   | Nut                       | nss    | 2        |                                |         |
| 25   | Handle rod                | nss    | 2        |                                |         |
| 26   | Plastic handle            | 943328 | 2        | Incl. item 24 and 25           |         |
| 27   | Left cover                | n/a    | 1        |                                |         |
|      |                           |        |          |                                |         |
|      |                           |        |          |                                |         |

n/a -> not available

nss -> not sold separately

### Circuit diagram

|  |                            |                        |
|--|----------------------------|------------------------|
|  <b style="font-size: 2em; margin-left: 10px;">HENDI</b><br><span style="font-size: 0.8em; color: #808000; margin-left: 20px;">Tools for Chefs</span><br><b>Hendi B.V.</b><br>Steenoven 21<br>3911 TX Rhenen<br>The Netherlands | <b>Batch #</b>             | <b>Appliance part#</b> |
|  | HK030320 and up            | <b>264300</b>          |
|  | <b>Description</b>         |                        |
|  | <b>Salamander type 800</b> |                        |

|                 |  |                   |     |
|-----------------|--|-------------------|-----|
| <b>Date</b>     | 28-05-2025                                 | <b>Revision #</b> | 1,1 |
| <b>Revision</b> | Updated control panel and circuit diagram. |                   |     |

