

Drawing



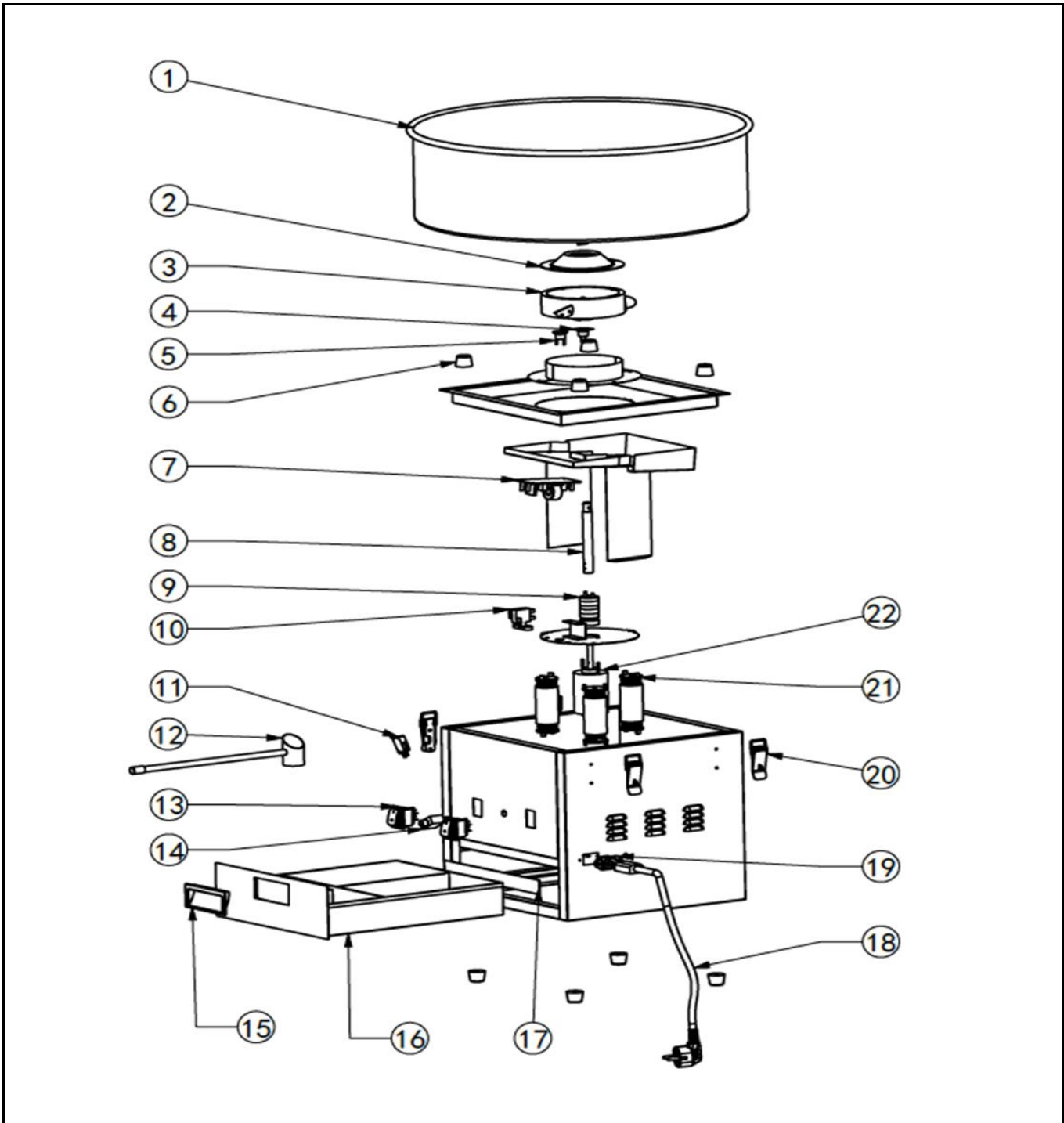
Tools for Chefs

Hendi B.V.  
Innovatielaan 6  
6745 XW De Klomp  
The Netherlands


|               |                 |
|---------------|-----------------|
| Batch #       | Appliance part# |
| 000000 and up | 282731          |

|                           |
|---------------------------|
| Description               |
| Cotton candy machine Pink |

|          |                               |            |      |
|----------|-------------------------------|------------|------|
| Date     | 18-06-2025                    | Revision # | V.02 |
| Revision | First Bill of Materials (BOM) |            |      |



### Bill of materials (BOM)

|   |                                  |                        |
|---|----------------------------------|------------------------|
|  <b style="font-size: 24px; margin-left: 10px;">HENDI</b><br><small style="color: green; margin-left: 10px;">Tools for Chefs</small><br><b>Hendi B.V.</b><br>Steenoven 21<br>3911 TX Rhenen<br>The Netherlands | <b>Batch #</b>                   | <b>Appliance part#</b> |
|   | 000000 and up                    | <b>282731</b>          |
|   | <b>Description</b>               |                        |
|   | <b>Cotton candy machine Pink</b> |                        |


|                 |                               |                   |      |
|-----------------|-------------------------------|-------------------|------|
| <b>Date</b>     | 18-06-2025                    | <b>Revision #</b> | V.02 |
| <b>Revision</b> | First Bill of Materials (BOM) |                   |      |

| Item | Description            | Part#  | Quantity | Remark                 | Picture |
|------|------------------------|--------|----------|------------------------|---------|
| 1    | Cotton candy pan       | 968505 | 1        |                        |         |
| 2    | Sugar mill lid         | nss    | 1        |                        |         |
| 3    | Sugar mill             | 968512 | 1        | Incl. item 2,3,4 and 5 |         |
| 4    | Clixon (230°C)         | 968529 | 1        |                        |         |
| 5    | Clixon (245°C)         | 968536 | 1        |                        |         |
| 6    | Rubber feet            | 968543 | 8        | Set of 8pcs            |         |
| 7    | Power PCB              | 968550 | 1        |                        |         |
| 8    | Axle                   | n/a    | 1        |                        |         |
| 9    | Slip ring              | n/a    | 1        |                        |         |
| 10   | Carbon brush           | n/a    | 1        |                        |         |
| 11   | Microswitch            | n/a    | 1        |                        |         |
| 12   | Sugar spoon            | 968567 | 1        |                        |         |
| 13   | Switch                 | 205426 | 1        |                        |         |
| 14   | Overload protector     | 968574 | 1        |                        |         |
| 15   | Drawer handle          | n/a    | 1        |                        |         |
| 16   | Drawer                 | n/a    | 1        |                        |         |
| 17   | Magnetic strip         | n/a    | 1        |                        |         |
| 18   | Power cord             | 900680 | 1        |                        |         |
| 19   | Power cord socket      | n/a    | 1        |                        |         |
| 20   | Cotton candy pan clamp | 968581 | 4        |                        |         |
| 21   | Dampner                | n/a    | 4        |                        |         |
| 22   | Motor                  | 968598 | 1        |                        |         |
|      |                        |        |          |                        |         |
|      |                        |        |          |                        |         |

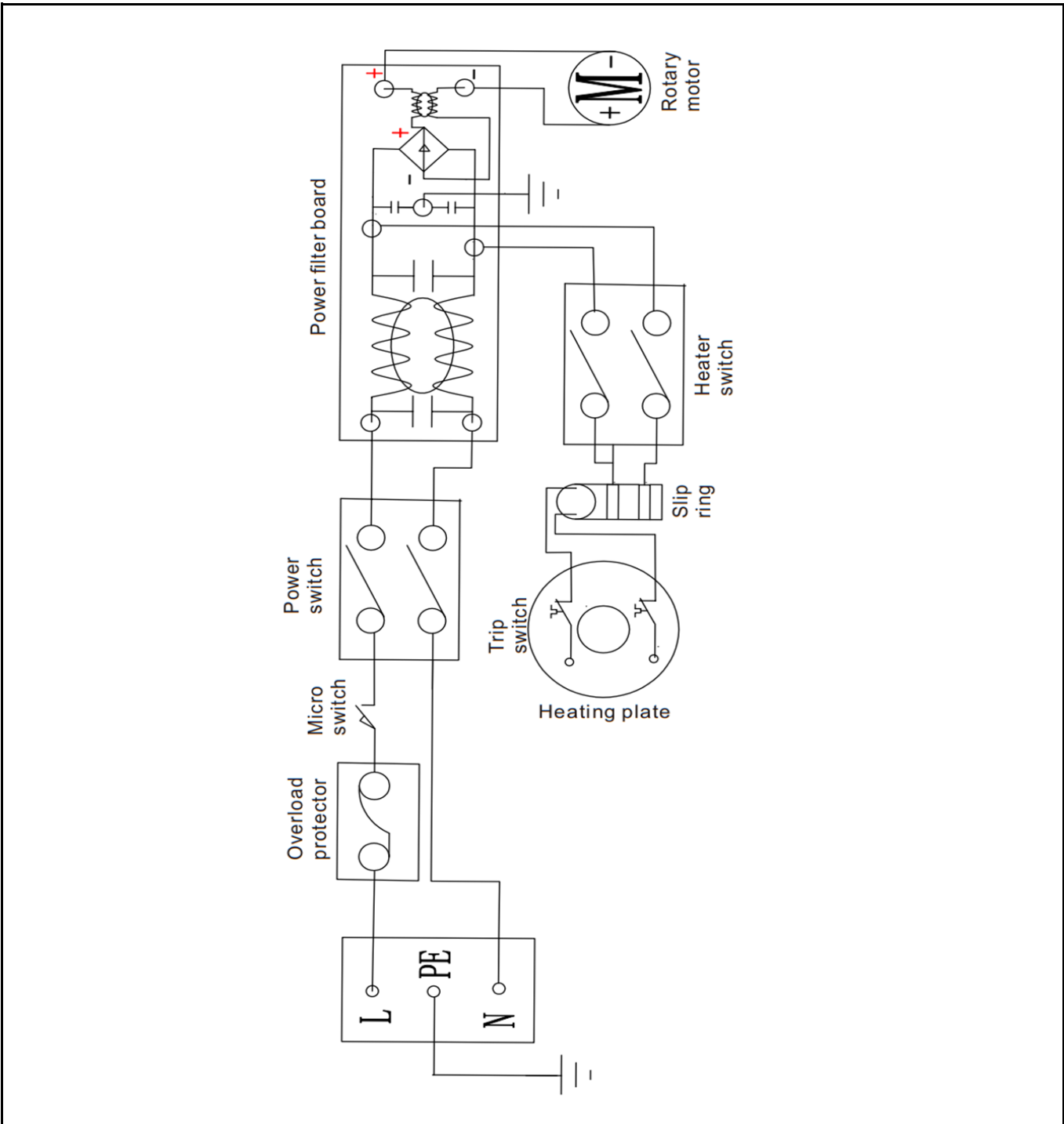
n/a -> not available

nss -> not sold separately


### Circuit diagram

|  |                                  |                        |
|--|----------------------------------|------------------------|
|  <b style="font-size: 24px; margin-left: 10px;">HENDI</b><br><span style="color: #92D050; font-size: 12px; margin-left: 10px;">Tools for Chefs</span><br><b>Hendi B.V.</b><br>Steenoven 21<br>3911 TX Rhenen<br>The Netherlands | <b>Batch #</b>                   | <b>Appliance part#</b> |
|  | 000000 and up                    | <b>282731</b>          |
|  | <b>Description</b>               |                        |
|  | <b>Cotton candy machine Pink</b> |                        |

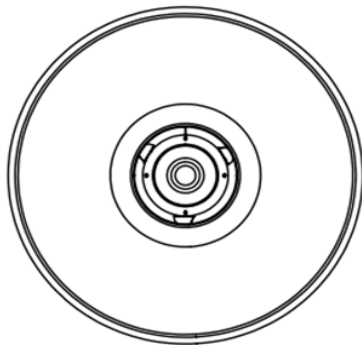
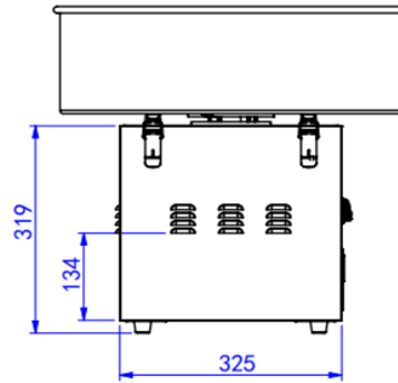
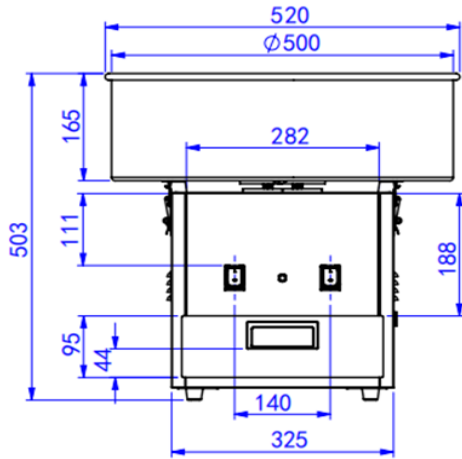
|                 |                               |                   |      |
|-----------------|-------------------------------|-------------------|------|
| <b>Date</b>     | 18-06-2025                    | <b>Revision #</b> | V.02 |
| <b>Revision</b> | First Bill of Materials (BOM) |                   |      |



**Dimentional drawing**

|   |                           |                        |
|---|---------------------------|------------------------|
|  <b>HENDI</b><br>Tools for Chefs<br><b>Hendi B.V.</b><br>Steenoven 21<br>3911 TX Rhenen<br>The Netherlands | <b>Batch #</b>            | <b>Appliance part#</b> |
|   | 000000 and up             | <b>282731</b>          |
|   | <b>Description</b>        |                        |
|   | Cotton candy machine Pink |                        |

|                 |                               |                   |      |
|-----------------|-------------------------------|-------------------|------|
| <b>Date</b>     | 18-06-2025                    | <b>Revision #</b> | V.02 |
| <b>Revision</b> | First Bill of Materials (BOM) |                   |      |



230V 1130W